



Ticor

2023

Kitchen & Bath

Revolutionize Your Kitchen

Innovation. Style. Quality. Value.

We've proven our commitment to delivering what home-owners want in a sink, proud to have served thousands of satisfied customers.

"The sink I want, or the sink I can afford?"

That's a question you'll never have to ask with Tigor.

Motivated by the desire to put high-end luxury kitchen design within reach without breaking the budget, Tigor never sacrifices quality or style. In fact, we're continually developing new features and accessories to make Tigor an even smarter choice.

The durability of premium 304-grade stainless steel, proprietary SoundShield™ noise-dampening technology, sleek modern style, plus a wide selection of versatile accessories, come together, all in one package, making your decision clear.

Don't just take our word for it—let our customers tell you themselves.

In their own words

Great looking sink—everyone that sees it makes a comment about how beautiful it is and how deep it is too. It feels very modern but would still work with transitional or traditional style. I am very proud of this selection and love all the great comments from friends.

-Victoria L

The sink is sleek, stylish, and just plain beautiful! I get so many compliments. I've only had it for 2 months, but so far, so good!

-Lauren S

I absolutely love it. The sink I've always wanted.

-Lisa B

This is a great undermount sink but I especially love all the "extras". We don't have/want a disposal so the little drain catcher basket is perfect for keeping bits from going down the drain. We keep the bottom rack in all the time and it helps keep the bottom from getting gross... It's super easy to rinse out. We use the drying rack a lot, not just for drying (rinsing produce). This thing is big enough to bathe a toddler in. For us it's perfect.

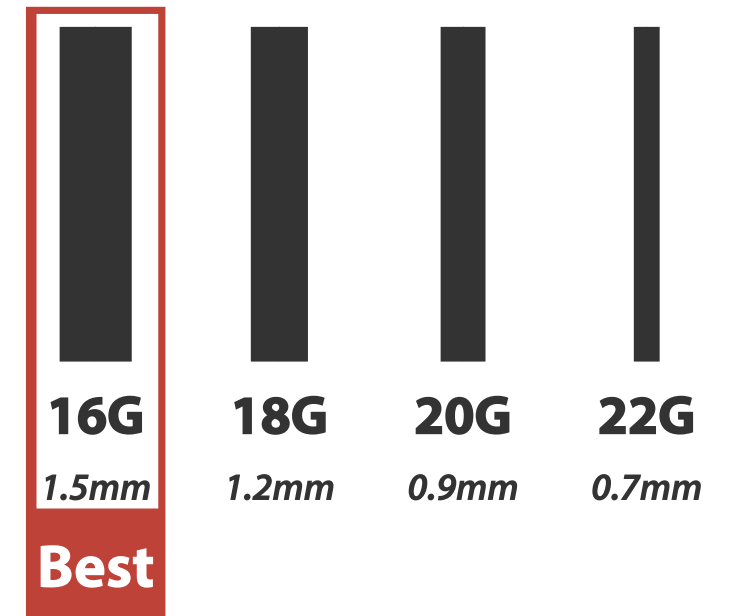
-Peter C

Tough

Thinner sinks may quickly accumulate dents and dings. Tigor sinks stand the test of time, even as you use heavy cookwear and dishes.

Tough, damage-resistant premium commercial 304 grade stainless steel protects against dents and dings, while 18/10 chromium/nickel blend minimizes rust and corrosion.

The majority of Tigor sinks are constructed of thick, extra-durable 16 gauge (1.5mm thick) steel. We also offer 18 gauge (1.2mm thick) sinks as an even more budget-friendly option.






Quiet



SoundShield™

All 16 Gauge Tigor sinks are equipped with extra thick foil microfilm sound-dampening pads covering 80% of sink base and 25% of sink walls.

-  **Sound Barrier Technology**
Innovative foil pads deaden sound
-  **Absorbs vibration** and sound from sink use
-  **Minimizes noise** from garbage disposal

Spacious

We've carefully engineered our sinks to maximize useable space.

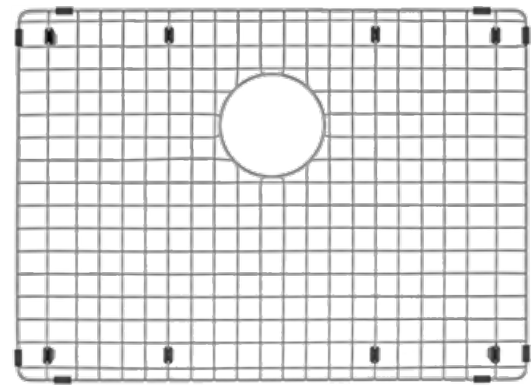
Many Tigor sinks are constructed with a 9" or 10" basin depth, making them spacious enough to accommodate your largest pots and pans without interfering with standard plumbing. You'll love the extra room!



Distinctive custom fit and unique accessories complement and enhance your ideal workspace

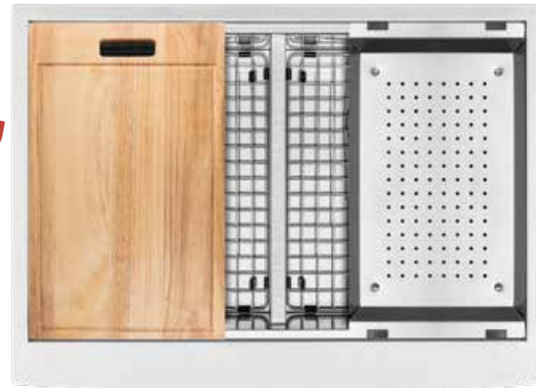


Ticor Basket Strainer

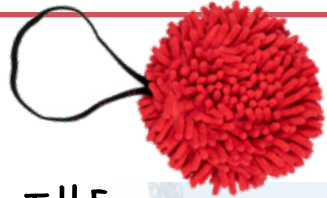


**Custom-Fit
Stainless
Steel Basin
Racks**

**Custom-Fit
Stainless
Steel Drying
Trays
& Premium
Wood
Cutting
Boards**



**FuFu Microfiber
Sink Loofah**



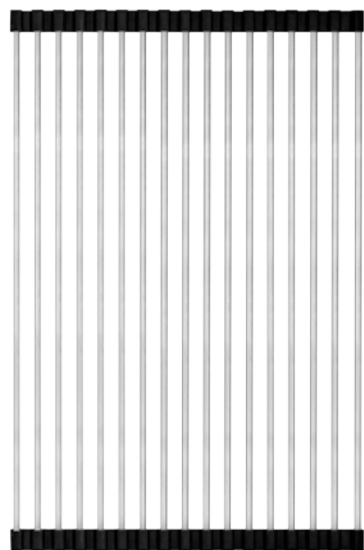
THE fuFu

**RIDICULOUSLY ABSORBENT
LUXURIOUSLY SOFT
MICROFIBER FABRIC**

**STREAK-FREE
CLEANING POWER
FOR USE EITHER
WET OR DRY**

**MACHINE WASHABLE
FOR OH SO EASY
SANITIZATION**

**Stainless Steel Roll-Up
Drying Rack**



- Rods Made of Superior 304 Grade Stainless Steel**
- High Quality 100% Durable Non-slip Silicone**
- Square Shaped Tubes Offer Contemporary Design And Stability**
- Easy To Clean, Easy To Store, Easy To Use, Quick To Dry**
- Limited Lifetime Guarantee**

Accessory Compatibility

Model #	Strainer	Basin Grid	Rolling Rack
L1	✓	✓	✓
L2	✓	✓	✓
L3	✓	✓	✓
L4	✓	✓	✓
L5	✓	✓	✓
L6	✓	✓	✓
L13	✓	✓	✓
L17	✓	✓	✓
L18	✓	✓	✓
L50	✓	✓	✓
L51	✓	✓	✓
PLZ-03	✓	✓	
PLZ-05	✓	✓	
PLZ-10	✓	✓	✓
PLZ-15	✓	✓	✓
PLZ-23	✓	✓	✓
PLZ-24	✓	✓	✓
PLZ-25	✓	✓	✓
SR10	✓	✓	✓
SR23	✓	✓	
SR24	✓		✓
S112	✓	✓	✓
S117	✓	✓	✓
S205	✓	✓	✓
S305	✓	✓	✓
S505	✓	✓	✓
S705	✓	✓	
S805	✓	✓	
S905	✓	✓	
S1205	✓	✓	✓
S3430	✓	✓	
S3510	✓	✓	✓
S3520	✓	✓	✓
S3550	✓	✓	✓
S3610	✓	✓	
S3620	✓	✓	
S3630	✓	✓	
S3640	✓	✓	
S3650	✓	✓	
S3660	✓	✓	✓
S3670	✓	✓	✓
S3680	✓	✓	✓
S3690	✓	✓	✓
S3700	✓	✓	✓

Model #	Strainer	Basin Grid	Rolling Rack	Cutting Board	Drying Tray
S5301	✓	✓	✓	✓	✓
S5302	✓	✓	✓	✓	✓
S5303	✓	✓	✓	✓	✓
S5304	✓	✓	✓	✓	✓
S5305	✓	✓	✓	✓	✓
S5306	✓	✓	✓	✓	✓
S5307	✓	✓	✓	✓	✓
S6501	✓	✓	✓		
S6502	✓	✓	✓		
S6503	✓	✓	✓		
S6511	✓	✓	✓		
S6512	✓	✓	✓		
S6513	✓	✓	✓		
TR1400	✓	✓	✓	✓	
TR1410	✓	✓	✓	✓	
TR4000	✓	✓	✓	✓	✓
TR4010	✓	✓	✓	✓	✓
TR4060	✓	✓	✓	✓	✓

TABLE OF CONTENTS

UNDERMOUNT SINKS 6 – 10

SQUARE SINKS 11 – 18

FARMHOUSE APRON SINKS 19 – 20

BRADFORD SINK SERIES 21 – 22

BATHROOM VANITY SERIES 23 – 25

FAUCETS 26 – 27

16-GAUGE STAINLESS STEEL UNDERMOUNT

S112

Undermount Sink
16 Gauge

Sink Size
31½" x 18¼" x 10"

Basin Size
29½" x 16¼" x 10"

Finish
Brushed

Minimum Recommended Cabinet 33"

S117

Undermount Sink
16 Gauge

Sink Size
30" x 18" x 9"

Basin Size
28" x 16" x 9"

Finish
Brushed

Minimum Recommended Cabinet 33"

S505

Undermount Sink
16 Gauge

Sink Size
23" x 17¾" x 9"

Basin Size
21" x 15¾" x 9"

Finish
Brushed

Minimum Recommended Cabinet 24"

S705

Undermount Sink
16 Gauge

Sink Size
12¾" x 15" x 7"

Basin Size
10¾" x 13" x 7"

Finish
Brushed

Minimum Recommended Cabinet 15"

S205

Undermount Sink
16 Gauge

Sink Size
32½" x 18¼" x 9"

Basin Size
14¾" x 16¼" x 9" (L & R)

Finish
Brushed

Minimum Recommended Cabinet 33"

S305

Undermount Sink
16 Gauge

Sink Size
32¼" x 20½" x 9"

Basin Size
15½" x 18¼" x 9" (L)
13½" x 16½" x 7" (R)

Finish
Brushed

Minimum Recommended Cabinet 33"

S805

Undermount Sink
16 Gauge

Sink Size
15" x 18½" x 7"

Basin Size
13" x 16½" x 7"

Finish
Brushed

Minimum Recommended Cabinet 15"

S1205

Undermount Sink
16 Gauge

Sink Size
32" x 20¾" x 10"

Basin Size
15¾" x 18¾" x 10" (L)
13" x 16½" x 8" (R)

Finish
Brushed

Minimum Recommended Cabinet 33"



L1

Undermount Sink
18 Gauge
Sink Size
31½" x 18¼" x 10"
Basin Size
29½" x 16¼" x 10"

Finish
Brushed

Minimum Recommended Cabinet 33"

L4

Undermount Sink
18 Gauge
Sink Size
32¼" x 20½" x 9"
Basin Size
13½" x 16½" x 7"(L)
15½" x 18¼" x 9"(R)

Finish
Brushed

Minimum Cabinet 33"

L5

Undermount Sink
18 Gauge
Sink Size
29¼" x 18½" x 8"
Basin Size
13" x 16½" x 8" (L&R)

Finish
Brushed

Minimum Recommended Cabinet 30"

L2

Undermount Sink
18 Gauge
Sink Size
32½" x 18¼" x 9"
Basin Size
14¾" x 16¼" x 9"
(L&R)

Finish
Brushed

Minimum Recommended Cabinet 33"

L3

Undermount Sink
18 Gauge
Sink Size
32¼" x 20½" x 9"
Basin Size
15½" x 18¼" x 9"(L)
13½" x 16½" x 7"(R)

Finish
Brushed

Minimum Cabinet 33"

L6

Undermount Sink
18 Gauge
Sink Size
23" x 17¾" x 9"
Basin Size
21" x 15¾" x 9"

Finish
Brushed

Minimum Recommended Cabinet 24"

L13

Undermount Sink
18 Gauge
Sink Size
31¼" x 18" x 9"
Basin Size
14" x 16" x 9"
(L&R)

Finish
Brushed

Minimum Recommended Cabinet 33"

L17

Undermount Sink
18 Gauge
Sink Size
30" x 18" x 9"
Basin Size
28" x 16" x 9"
Finish
Brushed
Minimum Recommended
Cabinet 33"

L18

Undermount Sink
Sink Size
27" x 18" x 9"
Basin Size
25" x 16" x 9"
Finish
Brushed
Minimum Cabinet 30"

ADA Compliant

L50

Undermount Sink
18 Gauge
Sink Size
32 1/2" x 18 1/4" x 6"
Basin Size
14 3/4" x 16 1/4" x 6"
Finish
Brushed
Minimum Cabinet 33"

ADA Compliant

L51

Undermount Sink
18 Gauge
Sink Size
23" x 17 3/4" x 6"
Basin Size
15 3/4" x 18 3/4" x 6"
Finish
Brushed
Minimum Cabinet 24"

SQUARE SINKS

S3610

Zero Radius Undermount Sink
16 Gauge
Sink Size
12" x 17 1/2" x 8"
Basin Size
10" x 15 1/2" x 8"
Finish
Brushed
Minimum Cabinet 15"

S3620

Zero Radius Undermount Sink
16 Gauge
Sink Size
14" x 17 1/2" x 8"
Basin Size
12" x 15 1/2" x 8"
Finish
Brushed
Minimum Cabinet 15"

S3430

Zero Radius Undermount Sink
16 Gauge
Sink Size
16" x 16" x 8"
Basin Size
14" x 14" x 8"
Finish
Brushed
Minimum Cabinet 18"

S3630

Zero Radius Undermount Sink
16 Gauge
Sink Size
16" x 17 1/2" x 8"
Basin Size
14" x 15 1/2" x 8"
Finish
Brushed
Minimum Cabinet 18"

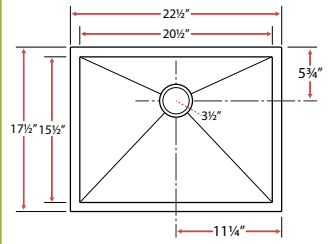
S3640

Zero Radius Undermount Sink
16 Gauge
Sink Size
17 1/4" x 17 1/2" x 10"
Basin Size
15 1/4" x 15 1/2" x 10"
Finish
Brushed
Minimum Cabinet 18"

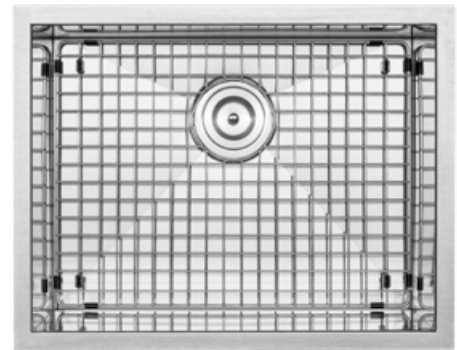
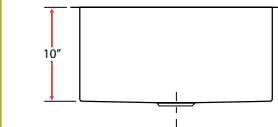
S3650

Zero Radius Undermount Sink
16 Gauge
Sink Size
18 1/2" x 20 1/2" x 10"
Basin Size
16 1/2" x 18 1/2" x 10"
Finish
Brushed
Minimum Cabinet 21"

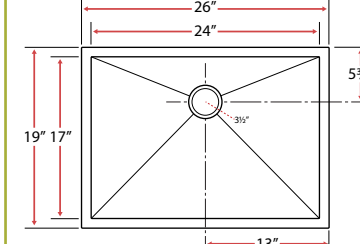
S3660



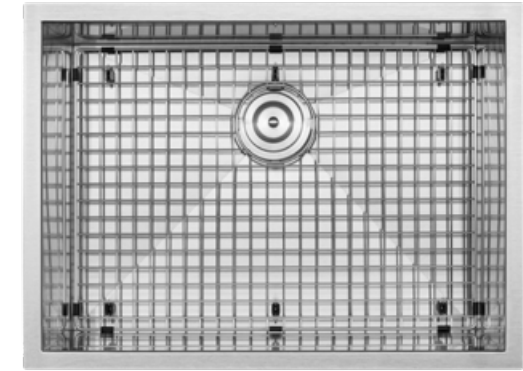
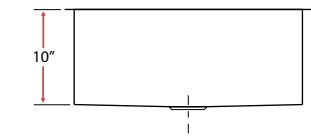
Zero Radius Undermount Sink
16 Gauge
Sink Size 22 1/2" x 17 1/2" x 10"
Basin Size 20 1/2" x 15 1/2" x 10"
Finish Brushed
Minimum Cabinet 24"



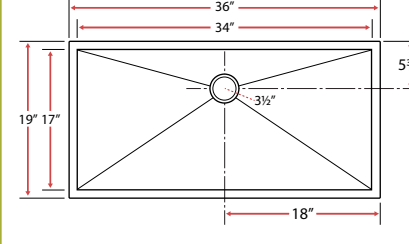
S3670



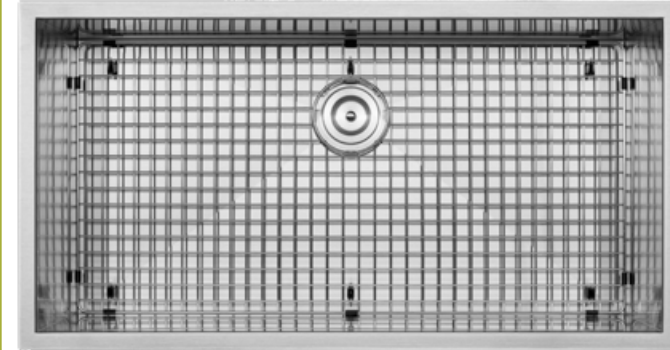
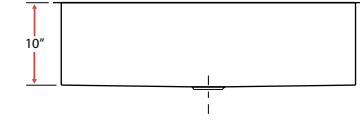
Zero Radius Undermount Sink
16 Gauge
Sink Size 26" x 19" x 10"
Basin Size 24" x 17" x 10"
Finish Brushed
Minimum Cabinet 27"



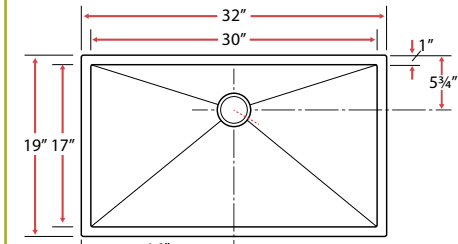
S3700



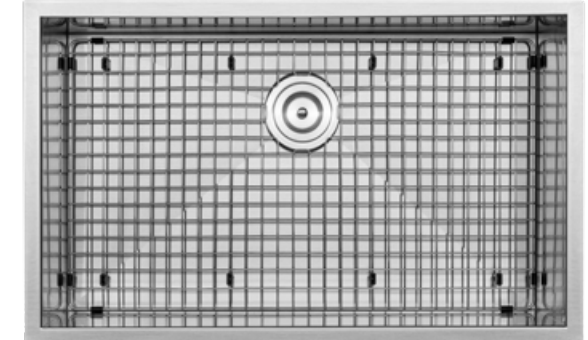
Zero Radius Undermount Sink
16 Gauge
Sink Size 36" x 19" x 10"
Basin Size 34" x 17" x 10"
Finish Brushed
Minimum Cabinet 39"



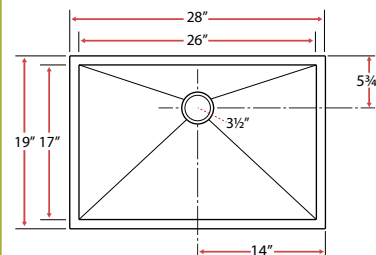
S3510



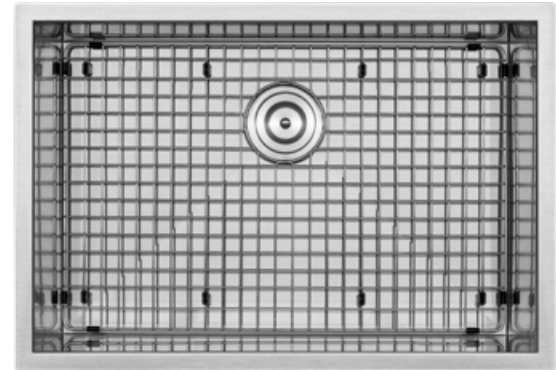
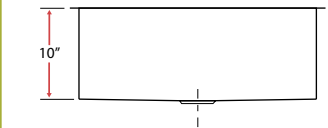
Zero Radius Undermount Sink
16 Gauge
Sink Size 32" x 19" x 10"
Basin Size 30" x 17" x 10"
Finish Brushed
Minimum Cabinet 33"



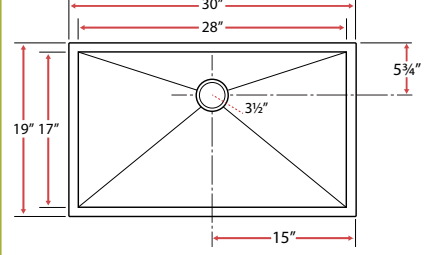
S3680



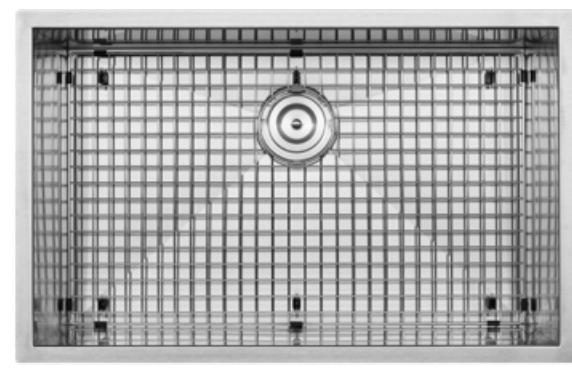
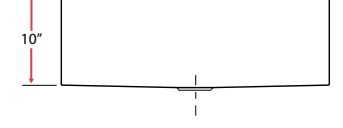
Zero Radius Undermount Sink
16 Gauge
Sink Size 28" x 19" x 10"
Basin Size 26" x 17" x 10"
Finish Brushed
Minimum Cabinet 30"



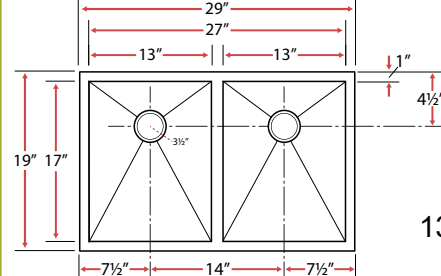
S3690



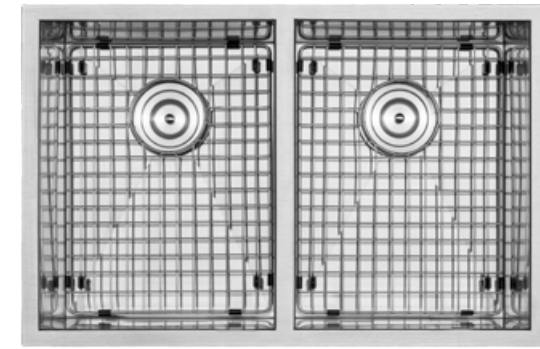
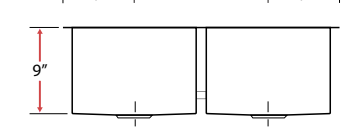
Zero Radius Undermount Sink
16 Gauge
Sink Size 30" x 19" x 10"
Basin Size 28" x 17" x 10"
Finish Brushed
Minimum Cabinet 33"



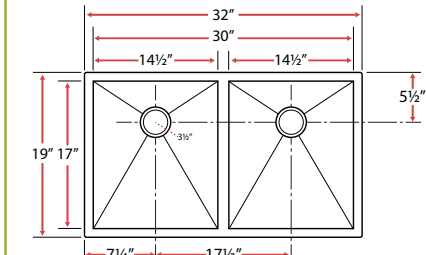
S3520



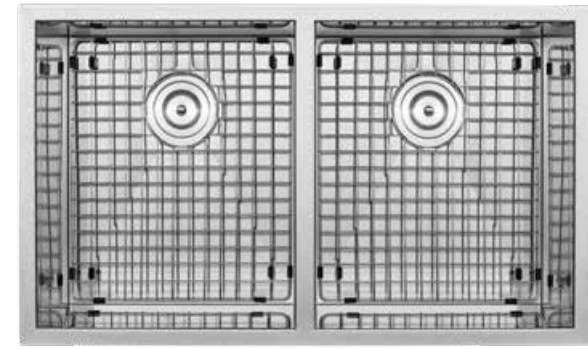
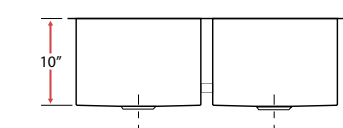
Zero Radius Undermount Sink
16 Gauge
Sink Size 29" x 19" x 9"
Basin Size 13" x 17" x 9" (L&R)
Finish Brushed
Minimum Cabinet 30"



S3550



Zero Radius Undermount Sink
16 Gauge
Sink Size 32" x 19" x 10"
Basin Size 14 1/2" x 17" x 10"
Finish Brushed
Minimum Cabinet 33"





S6502 accompanied by GF51-S faucet

S6501

Zero Radius Undermount Sink
16 Gauge

Sink Size
31¼" x 18" x 9"

Basin Size
14¼" x 16½" x 9"

Finish
Brushed
Minimum Cabinet 33"

S6511

Tight Radius Corner Undermount Sink
16 Gauge

Sink Size
31¼" x 18" x 9"

Basin Size
14¼" x 16½" x 9" (L&R)

Finish
Brushed
Minimum Cabinet 33"

S6512

Tight Radius Corner Undermount Sink
16 Gauge

Sink Size
31¼" x 18" x 9"

Basin Size
20½" x 16½" x 9" (L)
8" x 16½" x 6" (R)

Finish
Brushed
Minimum Cabinet 33"

S6502

Zero Radius Undermount Sink
16 Gauge

Sink Size
31¼" x 18" x 9"

Basin Size
20½" x 16½" x 9" (L)
8" x 16½" x 6" (R)

Finish
Brushed
Minimum Cabinet 33"

S6503

Zero Radius Undermount Sink
16 Gauge

Sink Size
31¼" x 18" x 9"

Basin Size
29¾" x 16½" x 9"

Finish
Brushed
Minimum Cabinet 33"



S6513

Tight Radius Corner Undermount Sink
16 Gauge

Sink Size
31¼" x 18" x 9"

Basin Size
29¾" x 16½" x 9"

Finish
Brushed
Minimum Cabinet 33"

PLZ-03

Tight Radius Corner Undermount Sink

18 Gauge

Sink Size

12" x 17" x 9"

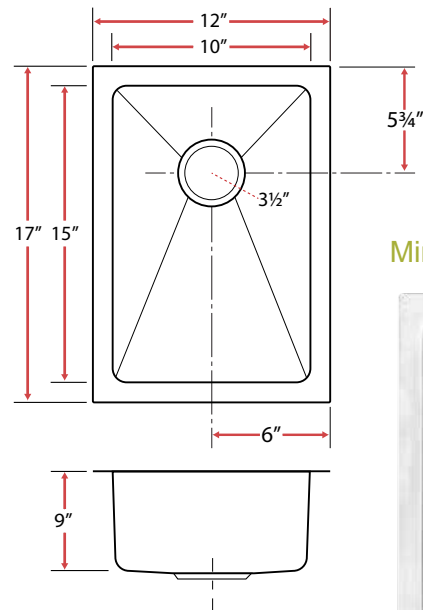
Basin Size

10" x 15" x 9"

Finish

Brushed

Minimum Cabinet 15"



PLZ-05

Tight Radius Corner Undermount Sink

18 Gauge

Sink Size

16" x 16" x 9"

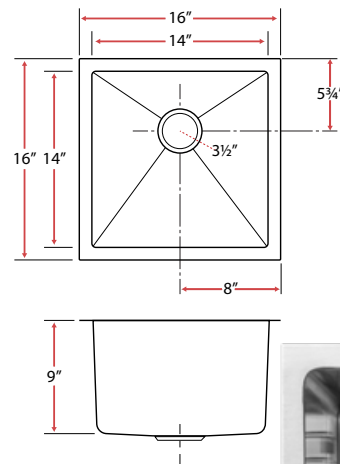
Basin Size

14" x 14" x 9"

Finish

Brushed

Minimum Cabinet 18"



PLZ-23

Tight Radius Corner Undermount Sink

18 Gauge

Sink Size

26" x 18" x 9"

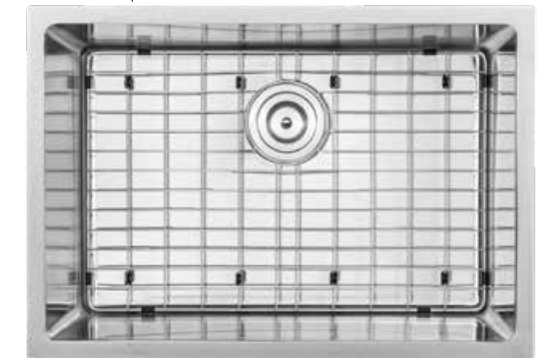
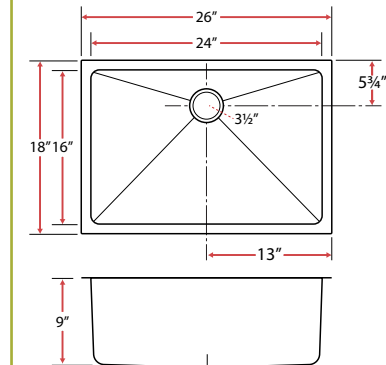
Basin Size

24" x 16" x 9"

Finish

Brushed

Minimum Cabinet 27"



PLZ-10

Tight Radius Corner Undermount Sink

18 Gauge

Sink Size

23" x 18" x 9"

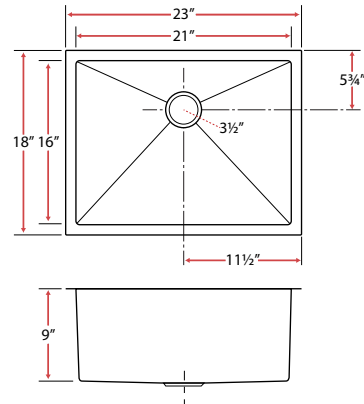
Basin Size

21" x 16" x 9"

Finish

Brushed

Minimum Cabinet 24"



PLZ-15

Tight Radius Corner Undermount Sink

18 Gauge

Sink Size

31" x 18" x 9"

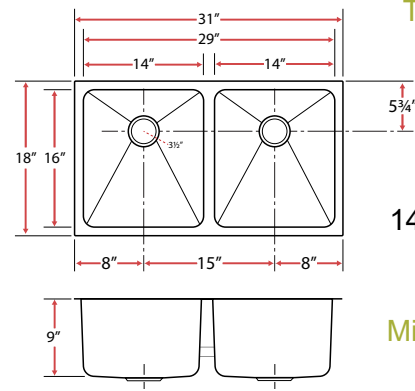
Basin Size

14" x 16" x 9" (L & R)

Finish

Brushed

Minimum Cabinet 33"



PLZ-24

Tight Radius Corner Undermount Sink

18 Gauge

Sink Size

28" x 18" x 9"

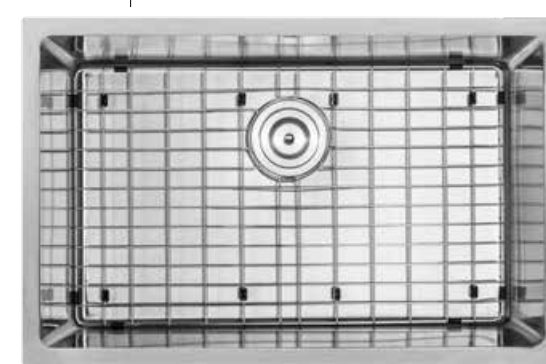
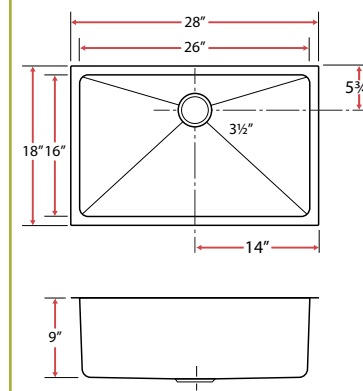
Basin Size

26" x 16" x 9"

Finish

Brushed

Minimum Cabinet 30"



PLZ-25

Tight Radius Corner Undermount Sink

18 Gauge

Sink Size

31 1/4" x 18" x 9"

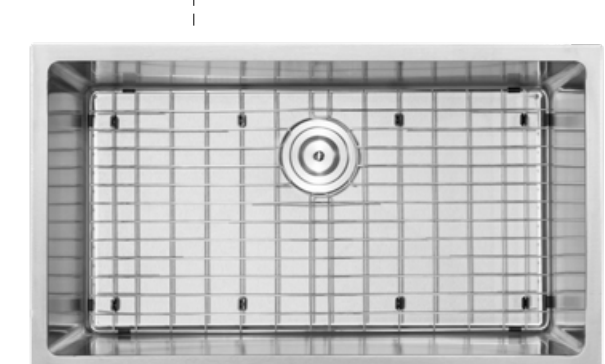
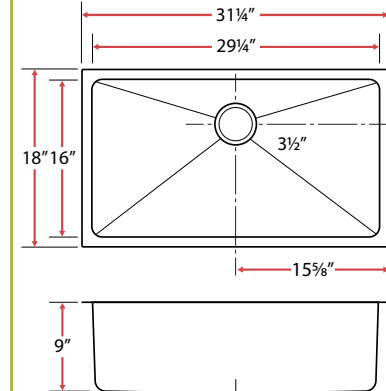
Basin Size

29 1/4" x 16" x 9"

Finish

Brushed

Minimum Cabinet 33"



SR10

Tight Radius Corner Undermount Sink
18 Gauge
Sink Size 30" x 19" x 9"
Basin Size 13¾" x 17" x 9" (L&R)
Finish Brushed
Minimum Cabinet 33"



FARMHOUSE APRON SINKS

S5301

Zero Radius Corner Apron Sink
16 Gauge
Sink Size 27" x 22¼" x 10"
Basin Size 25" x 16¾" x 10"
Finish Brushed
Minimum Cabinet 27"

SR23

Tight Radius Corner Undermount Sink
18 Gauge
Sink Size 23" x 18" x 9"
Basin Size 21" x 16" x 9"
Finish Brushed
Minimum Cabinet 27"

SR24

Tight Radius Corner Undermount Sink
18 Gauge
Sink Size 30" x 18¼" x 9"
Basin Size 28" x 16¼" x 9"
Finish Brushed
Minimum Cabinet 33"

S5302

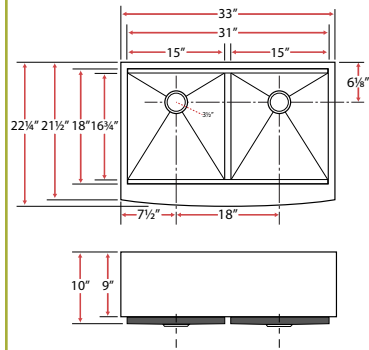
Zero Radius Corner Apron Sink
16 Gauge
Sink Size 30" x 22¼" x 10"
Basin Size 13½" x 16½" x 10" (L&R)
Finish Brushed
Minimum Cabinet 30"

S5303

Zero Radius Corner Apron Sink
16 Gauge
Sink Size 30" x 22¼" x 10"
Basin Size 28" x 16¾" x 10"
Finish Brushed
Minimum Cabinet 30"

S5304

Zero Radius Corner Apron Sink
16 Gauge



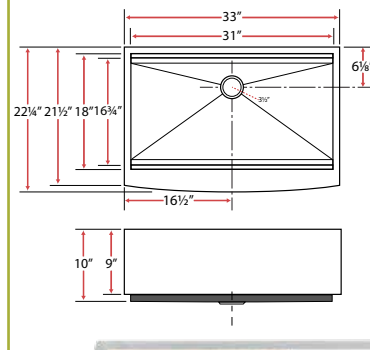
Sink Size
33" x 22 1/4" x 10"
Basin Size
15" x 16 3/4" x 10" (L&R)

Finish
Brushed
Minimum Cabinet 33"



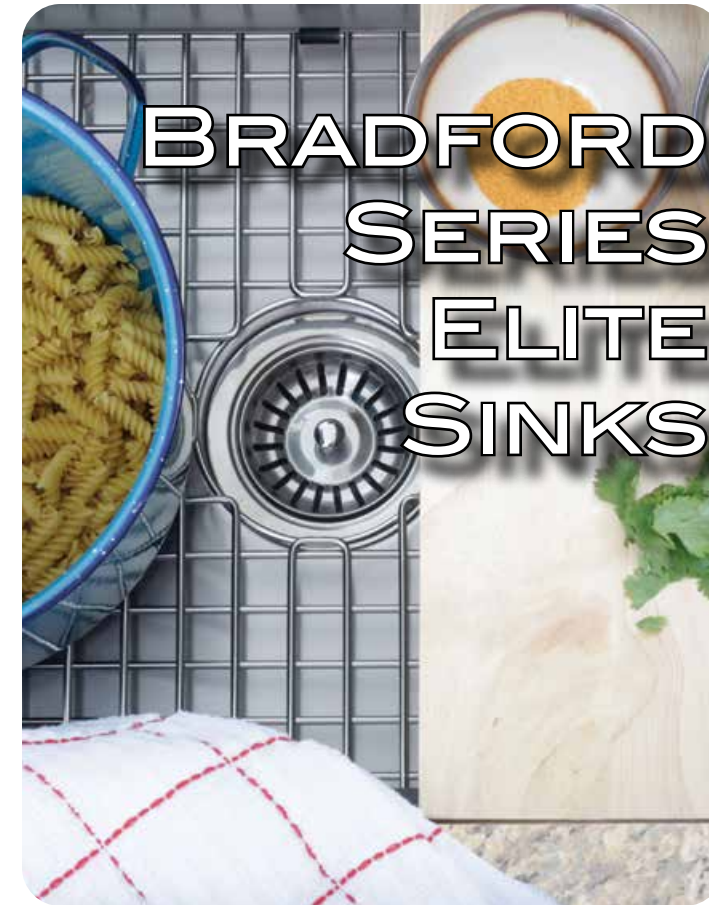
S5305

Zero Radius Corner Apron Sink
16 Gauge



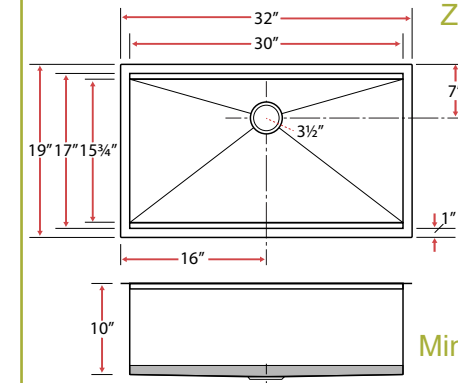
Sink Size
33" x 22 1/4" x 10"
Basin Size
31" x 16 3/4" x 10"

Finish
Brushed
Minimum Cabinet 33"



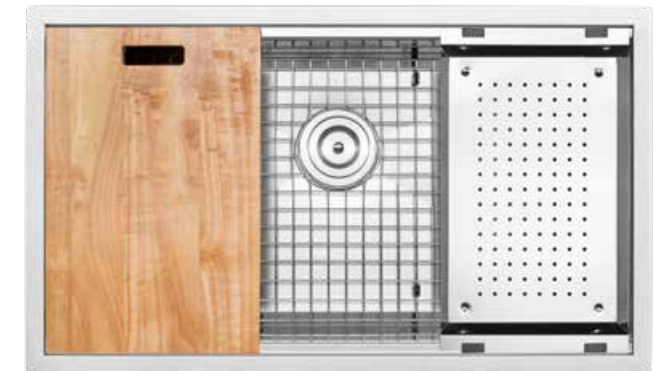
TR4000

Zero Radius Corner
Undermount Sink
16 Gauge



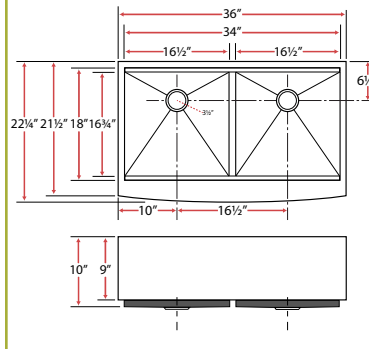
Sink Size
32" x 19" x 10"
Basin Size
30" x 15 3/4" x 10"

Finish
Brushed
Minimum Cabinet 33"



S5306

Zero Radius Corner Apron Sink
16 Gauge



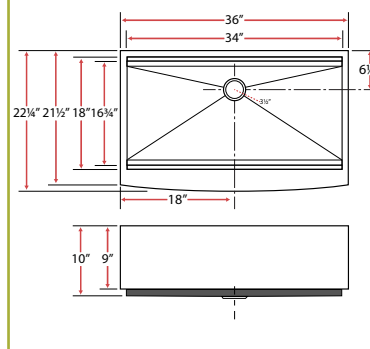
Sink Size
36" x 22 1/4" x 10"
Basin Size
16 1/2" x 16 3/4" x 10" (L&R)

Finish
Brushed
Minimum Cabinet 36"



S5307

Zero Radius Corner Apron Sink
16 Gauge



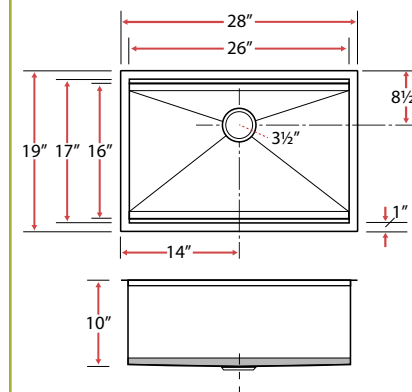
Sink Size
36" x 22 1/4" x 10"
Basin Size
34" x 16 3/4" x 10"

Finish
Brushed
Minimum Cabinet 36"



TR4010

Zero Radius Corner
Undermount Sink
16 Gauge



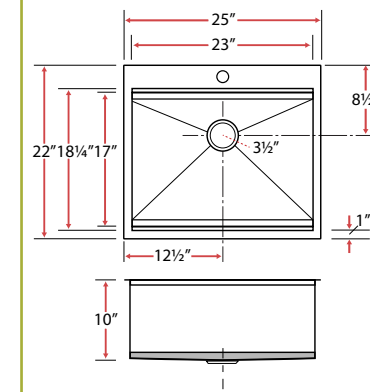
Sink Size
28" x 19" x 10"
Basin Size
26" x 16" x 10"

Finish
Brushed
Minimum Cabinet 30"



TR4060

Zero Radius Corner
Overmount Sink
16 Gauge



Sink Size
25" x 22" x 10"
Basin Size
23" x 17" x 10"

Finish
Brushed
Minimum Cabinet 27"



TR1400

Tight Radius Corner Undermount Sink
16 Gauge

Sink Size
44¼" x 23½" x 10"

Basin Size
16" x 14" x 10" (L&R)

Finish
Brushed
Minimum
Corner Cabinet 36"

TR1410

Tight Radius Corner Undermount Sink
16 Gauge

Sink Size
33" x 21¼" x 9"

Basin Size
14" x 14" x 9" (L&R)

Finish
Brushed
Minimum
Corner Cabinet 36"



B1

Ceramic Undermount with Overflow

B1-A Almond
B1-W White

Sink Size
18" x 12¾" x 7¼"

Basin Size
16" x 10¾" x 5½"

● Almond
○ White

B2

Ceramic Undermount with Overflow

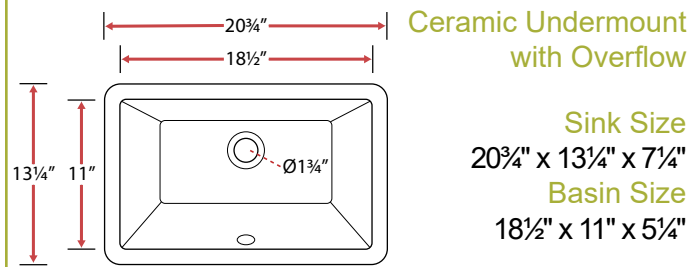
B2-A Almond
B2-W White

Sink Size
20¼" x 15" x 7¼"

Basin Size
18¼" x 13" x 5½"

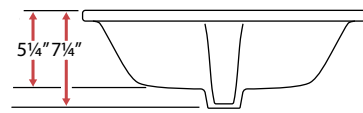
● Almond
○ White

B3

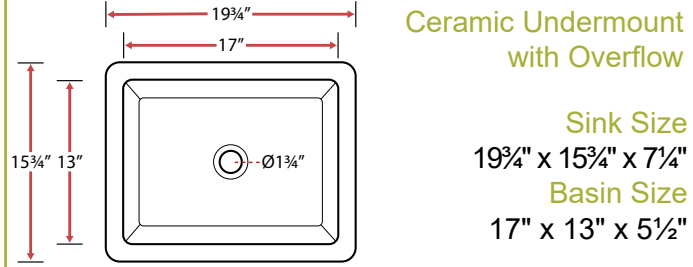


Ceramic Undermount with Overflow

Sink Size
20 3/4" x 13 1/4" x 7 1/4"
Basin Size
18 1/2" x 11" x 5 1/4"

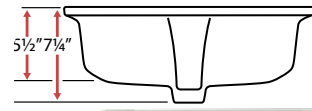


B4

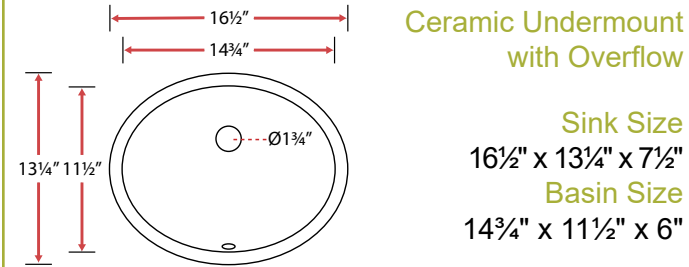


Ceramic Undermount with Overflow

Sink Size
19 3/4" x 15 3/4" x 7 1/4"
Basin Size
17" x 13" x 5 1/2"

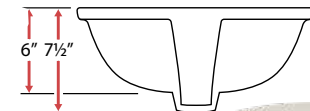


S610

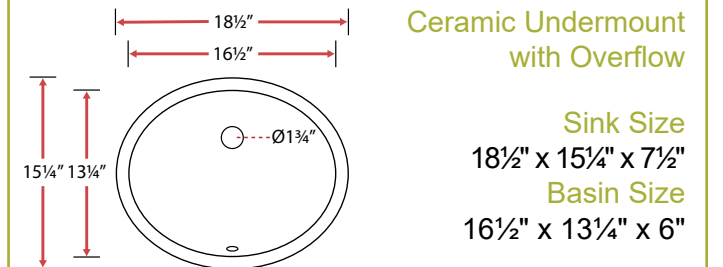


Ceramic Undermount with Overflow

Sink Size
16 1/2" x 13 1/4" x 7 1/2"
Basin Size
14 3/4" x 11 1/2" x 6"

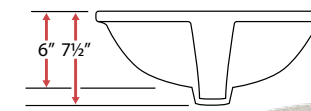


S650

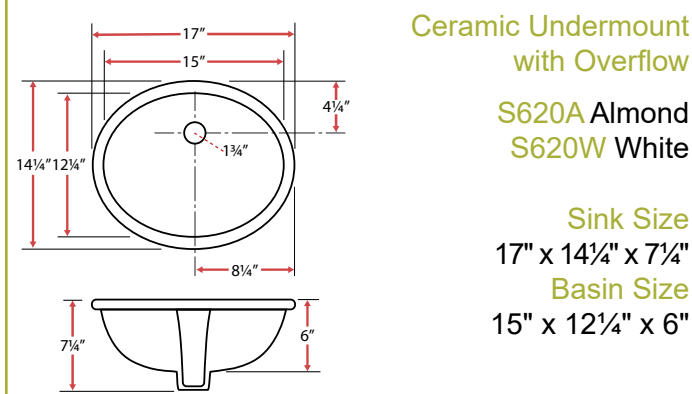


Ceramic Undermount with Overflow

Sink Size
18 1/2" x 15 1/4" x 7 1/2"
Basin Size
16 1/2" x 13 1/4" x 6"



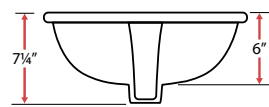
S620



Ceramic Undermount with Overflow

S620A Almond
S620W White

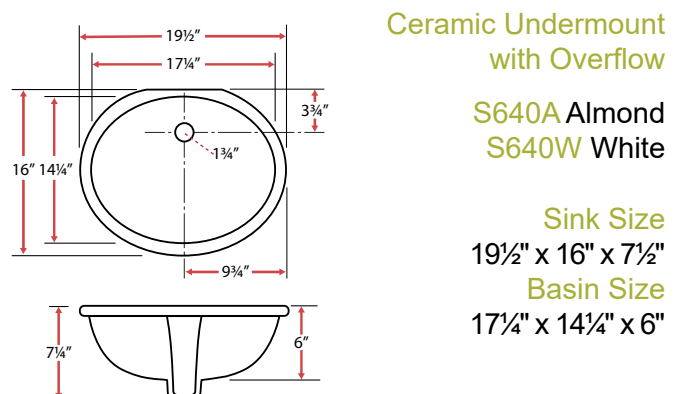
Sink Size
17" x 14 1/4" x 7 1/4"
Basin Size
15" x 12 1/4" x 6"



Almond
White



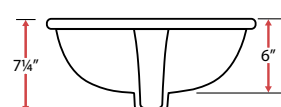
S640



Ceramic Undermount with Overflow

S640A Almond
S640W White

Sink Size
19 1/2" x 16" x 7 1/2"
Basin Size
17 1/4" x 14 1/4" x 6"



Almond
White



GF51-S

Stainless Steel
Pull-Down Faucet
Height 18½"
Reach 10½"



GF75-S

Premium
Pull-Down Faucet
Height 17⅝"
Reach 9"



GF46-S

Stainless Steel
Wall-Mount Potfiller
Double hinged, dual-handle control
Brushed Stainless Steel Finish
Height 10½"
Reach 24½"



GF30-S

Stainless Steel
Water Filter Faucet
Height 10"
Reach 4½"



GF65-S

Stainless Steel
Soap Dispenser
Height 2½"
Reach 3¾"



2023

Browse the

2023

Kitchen & Bath
Collection
online at
TicorSinks.com