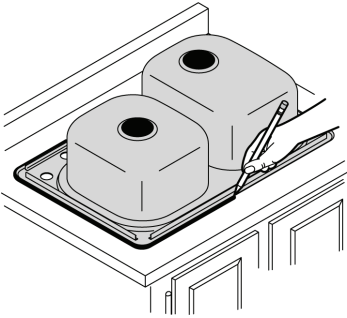




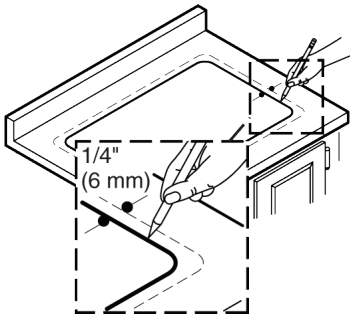
Overmount Sink Installation Instructions

Please read these instructions carefully before beginning installation. We recommend that undermount sinks be installed by professional countertop installers and we are not responsible for damage to the countertop or sink during installation.

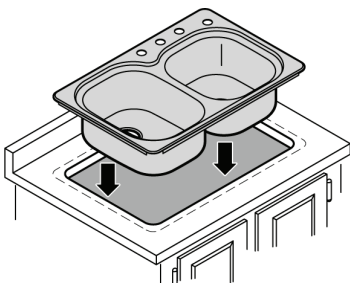
1 Position the sink and trace the outline.



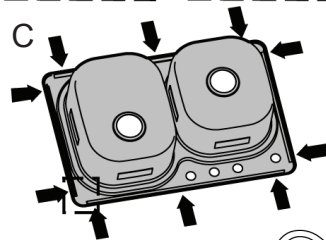
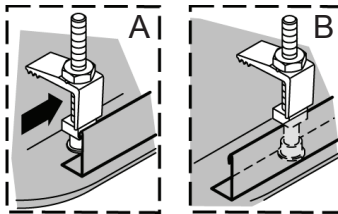
2 Draw the cut-out line 1/4" inside the sink outline.



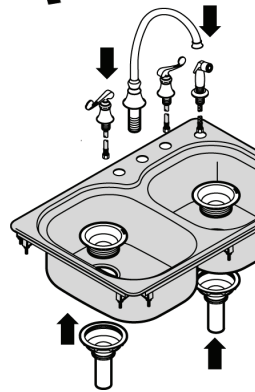
3 A) Choose the correct cutting tool for the countertop material. Drill pilot hole and cut the countertop opening. B) Verify fit. Adjust cutout if needed.



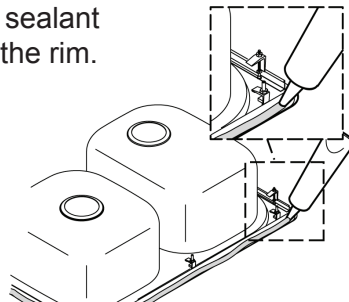
4 A) Slide clips into position. B) Hand tighten the stud. C) Attach clips in the corners and space the rest evenly around the underside of the sink.



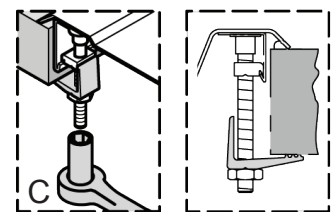
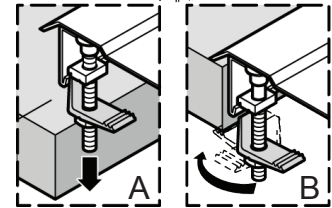
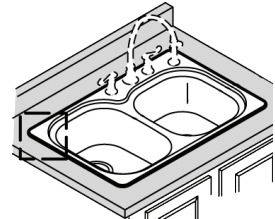
5 Install the faucet and the strainer.



6 Apply sealant around the rim.

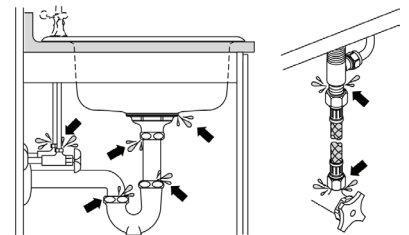


7 Adjust clips as needed to eliminate gaps. A) Insert the sink. B) Rotate the clip. C) Tighten the nut.



8 Wipe away the excess sealant and allow to dry.

9 Make the drain connections. Run water into the sink and check for leaks.



CARE AND CLEANING

- Be careful not to leave staining materials in contact with the surface for extended periods of time.
- The ideal cleaning technique is to rinse thoroughly and blot dry any water from the surface after each use.
- Use a mild detergent such as liquid

dishwashing soap and warm water for cleaning. Do not use abrasive cleaners that may scratch or dull the surface.

- Carefully read the cleaner product label to ensure the cleaner is safe for use on the material.
- Always test your cleaning solution on an inconspicuous area before applying to the entire surface. Cleaners containing chloride are not

recommended.

- Wipe surfaces clean and rinse completely with water immediately after applying cleaner. Rinse and dry any overspray that lands on nearby surfaces.
- Do not allow cleaners to soak on surfaces.
- Use a soft, dampened sponge or cloth. Never use an abrasive material such as a brush or scouring pad to clean surfaces.