



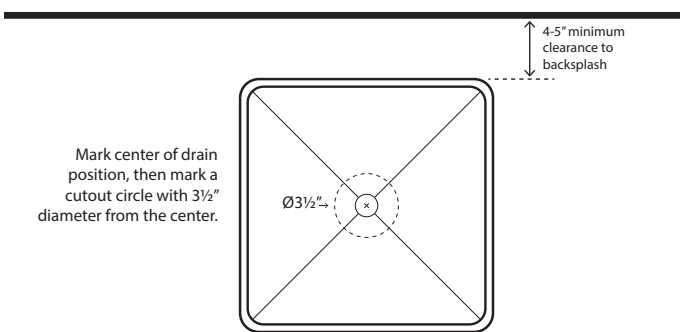
Vessel Sink Installation Instructions

TicorSinks.com
support@TicorSinks.com
1-(503) 455-8336

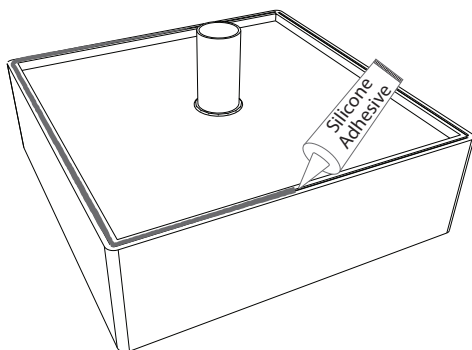
Congratulations on your recent purchase of a Ticor sink! We hope you will enjoy it for many years to come. These instructions apply to all Ticor ceramic vessel sinks. No mounting hardware is necessary. For any additional installation information or particular project needs, please consult with a contractor. Improper installation may damage the product and/or void your warranty. Before you begin, ensure that the installation area is level, clean and free of any dust or debris.

Tools and Materials:

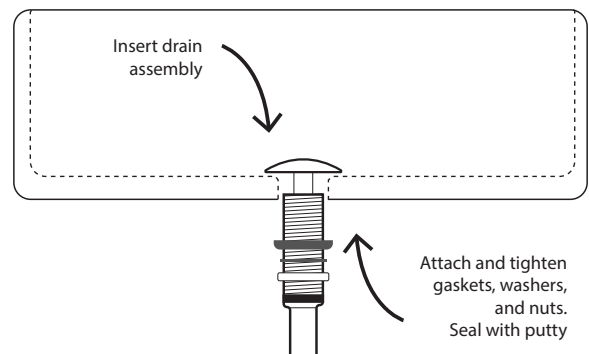
- Putty/Caulk
- Silicone Adhesive
- Jig Saw or Drill with Bit
- Pencil/Marker
- Level
- Putty Knife
- Tape Measure
- Adjustable/Pipe Wrench
- Eye/Hand Protection



1. Determine the placement of your sink. Ensure at least 4-5" clearance from the backsplash for faucet installation. Mark the center of the drain hole then set the sink aside. Draw a 3½" diameter circle around the center of the drain hole, then cut out this opening.

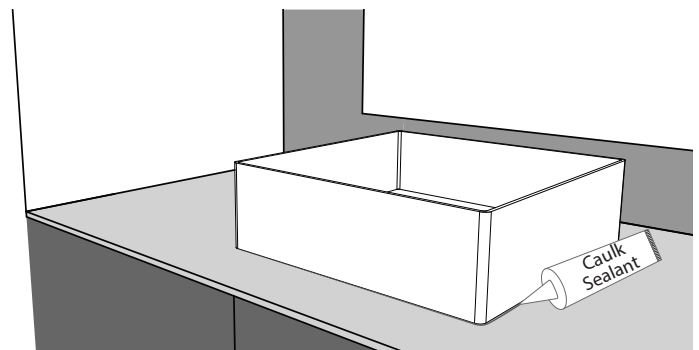


3. Position the vessel sink on the opening of the countertop and double check level and fit. You can use plumber's putty to level the sink if necessary. Remove the sink and turn it upside-down and apply silicone adhesive around the bottom rim of the sink.



2. Attach the pop-up drain to the sink. Ensure all parts are fully tightened and use plumber's putty on the gaskets to prevent any leakage.

Note that simultaneously installing the drain to both the sink and countertop increases the risk of leaks



4. Install the sink and connect the P-Trap to the drain. Apply caulking around the base of the sink so there are no gaps between sink and countertop. After the adhesive is dried (refer to adhesive instructions), turn on the faucet for a few minutes and observe to ensure there are no leaks.