



SR10

Builder Series

Undermount Kitchen Sink

Features

- 18 Gauge 304 Stainless Steel Construction
- Satin Brushed Finish
- Non-Porous Corrosion-Resistant Surface
- Sound and Vibration Dampening
- Protected with a Non-Toxic Anti-Condensation Coating
- Limited Lifetime Warranty

Compatible Accessories

SC1 Deluxe Sink Caddy
TBASK Stainless Steel Basket Strainer
MF1 FuFu Microfiber Sink Loofah
MIB-U Mounting and Installation Brackets
TSR10 Sink Cut-Out Template
Installation Instructions



Codes/Standards

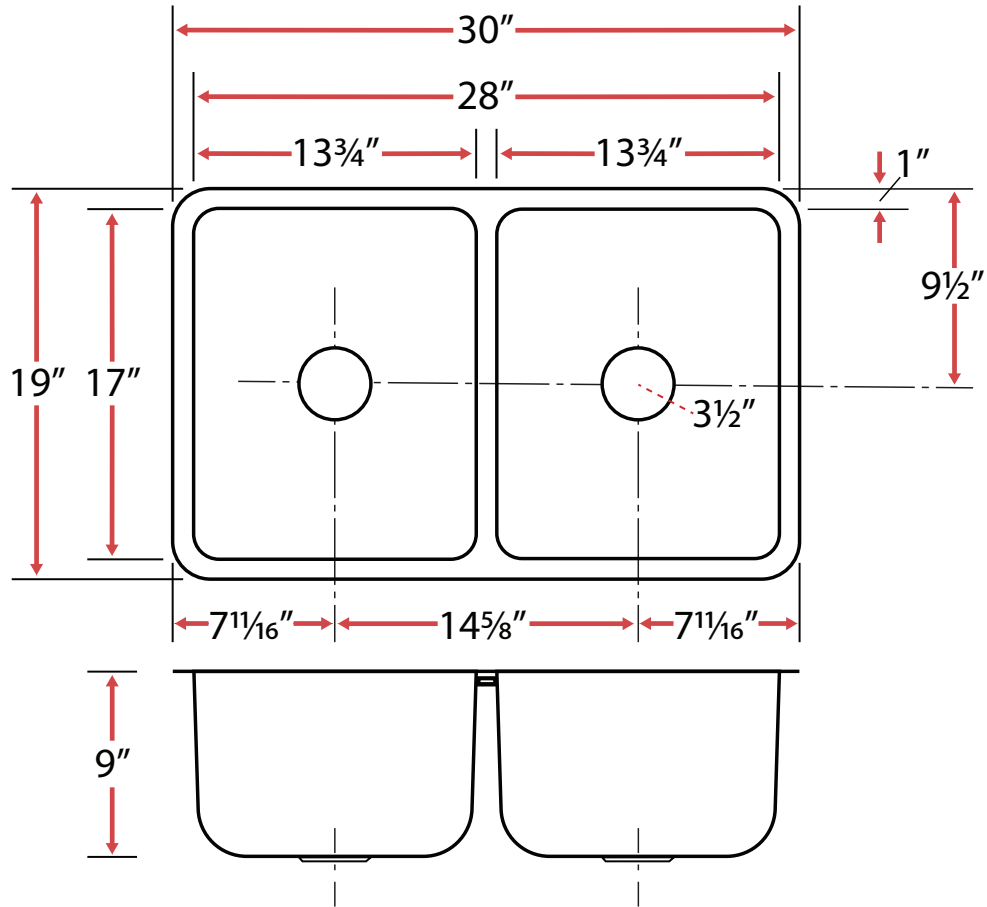
ASME A112.19.3/CSA B45.4



SR10

Builder Series

Undermount Kitchen Sink



Technical Information

- Sink Collection: **Builder Series**
- Sink Model Number: **SR10**
- Corner Style: **Deep Drawn**
- Sink Length (inches): **30**
- Sink Width (inches): **19**
- Sink Basin Depth (inches): **9**
- Drain Opening (inches): **3.5**
- Drain Position: **Center**
- Basin Configuration: **Double**
- Basin Ratio: **50/50**
- Installation Type: **Undermount**
- Minimum Sink Base Cabinet Width Required: **33"**
(Cabinet May Require Additional Modifications at Minimum Size. Consult an Installer for Confirmation)

1-(503) 455-8336

Sink specifications may change without notice. Please visit www.ticorsinks.com for the most current information. Updated 03/3/2020