



# S620

## Belfast Series

Undermount Vanity Sink

### Features

- Oval Design
- Overflow Drain
- Vitreous China
- No Faucet Holes
- Requires Wall or Counter-Mount Faucet
- Limited Lifetime Warranty
- Available in White or Almond color

### Compatible Accessories

MIB-U Mounting and Installation Brackets  
TS620 Sink Cut-Out Template  
Installation Instructions



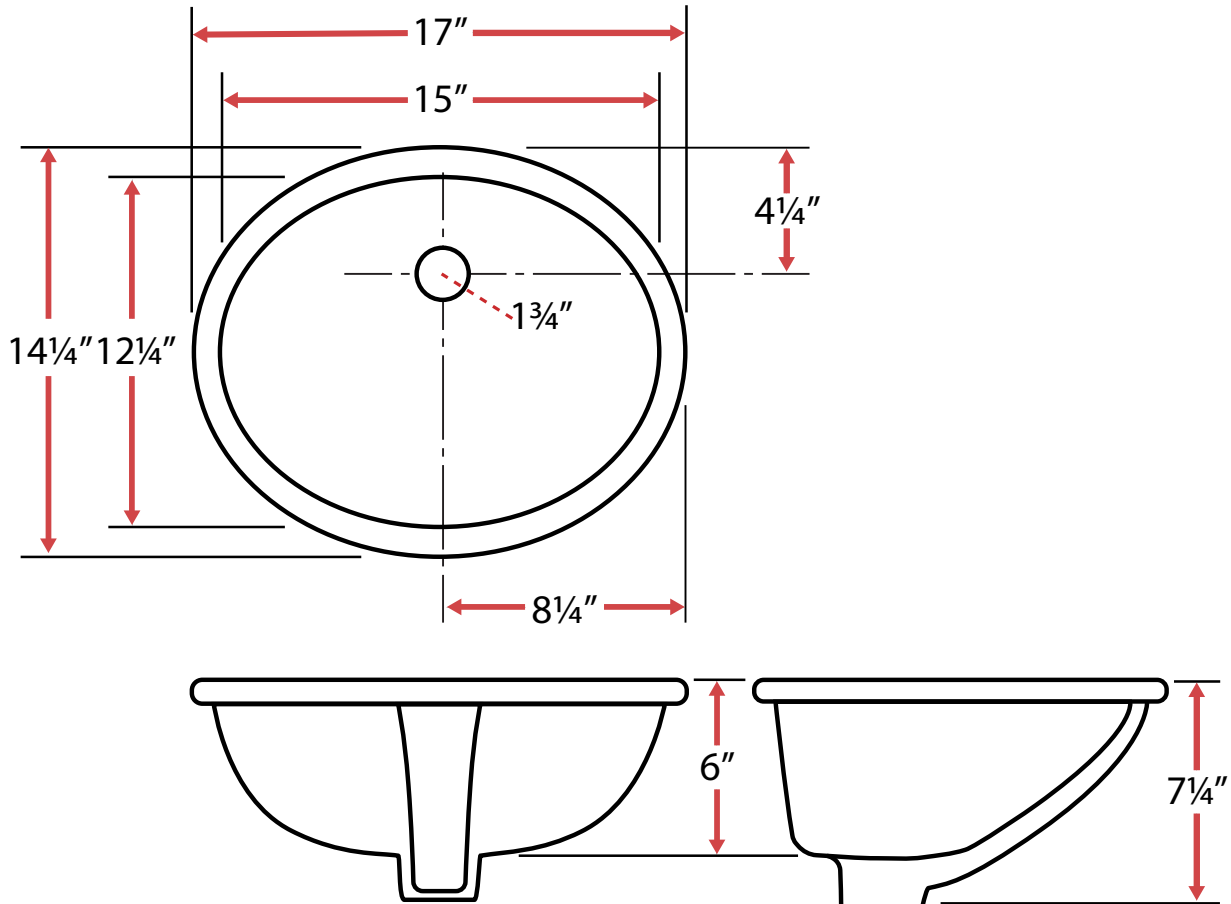
### Codes/Standards

ASME A112.19.3/CSA B45.4



**S620**

**Belfast Series**  
Undermount Vanity Sink



## Technical Information

- Sink Collection: **Belfast Series**
  - Sink Model Number: **S620**
  - Sink Length (inches): **17**
  - Sink Width (inches): **14 1/4**
  - Sink Basin Depth (inches): **6**
  - Drain Opening (inches): **1 3/4**
  - Drain Position: **Rear**
  - Bowl Configuration: **Single**
  - Installation Type: **Undermount**
  - Minimum Sink Base Cabinet Width Required: **18"**
- (Cabinet May Require Additional Modifications at Minimum Size. Consult an Installer for Confirmation)*

1-(503) 455-8336

Sink specifications may change without notice. Please visit [www.ticorsinks.com](http://www.ticorsinks.com) for the most current information. Updated 03/21/2018