



# S3700

## Pacific Series

Undermount Kitchen Sink

### Features

- 16 Gauge 304 Stainless Steel Construction
- Satin Brushed Finish
- Non-Porous Corrosion-Resistant Surface
- Equipped with SoundShield™ Noise Deadening Pads (85% Bottom Basin Coverage)
- Protected with a Non-Toxic Anti-Condensation Coating
- Limited Lifetime Warranty



### Compatible Accessories

- TG97 Stainless Steel Custom Fit Basin Rack
- RSR1912 Stainless Steel Rolling Rack
- SC1 Deluxe Sink Caddy
- TBASK Stainless Steel Basket Strainer
- MF1 FuFu Microfiber Sink Loofah
- MIB-U Mounting and Installation Brackets
- T3700 Sink Cut-Out Template
- Installation Instructions

### Codes/Standards

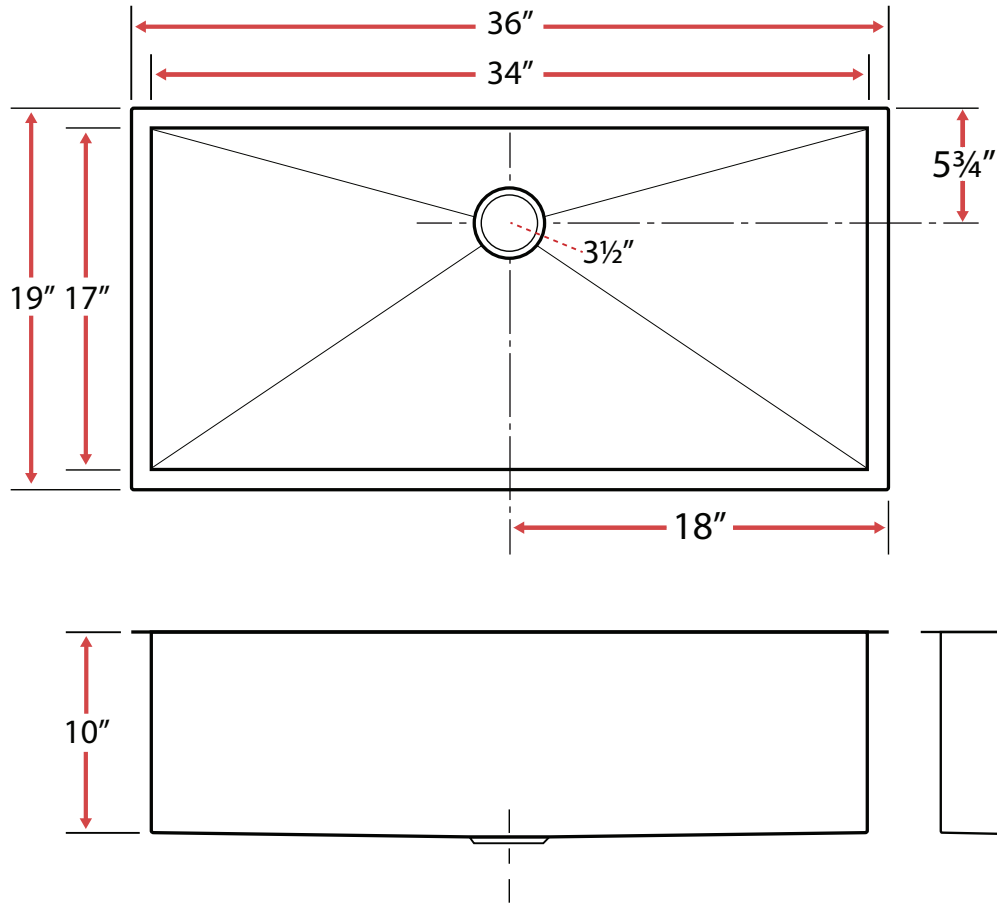
ASME A112.19.3/CSA B45.4



# S3700

## Pacific Series

Undermount Kitchen Sink



### Technical Information

- Sink Collection: **Pacific Series**
- Sink Model Number: **S3700**
- Corner Style: **Zero Radius**
- Sink Length (inches): **36**
- Sink Width (inches): **19**
- Sink Basin Depth (inches): **10**
- Drain Opening (inches): **3.5**
- Drain Position: **Rear**
- Bowl Configuration: **Single**
- Installation Type: **Undermount**
- Minimum Sink Base Cabinet Width Required: **39"**

*(Cabinet May Require Additional Modifications at Minimum Size. Consult an Installer for Confirmation)*

1-(503) 455-8336

Sink specifications may change without notice. Please visit [www.ticorsinks.com](http://www.ticorsinks.com) for the most current information. Updated 10/27/2018