



L8

Foster Series

Undermount Kitchen/Bar Sink

Features

- 18 Gauge 304 Stainless Steel Construction
- Satin Brushed Finish
- Non-Porous Corrosion-Resistant Surface
- Equipped with SoundShield™ Noise Deadening Pads (85% Bottom Basin Coverage)
- Protected with a Non-Toxic Anti-Condensation Coating
- Limited Lifetime Warranty

Compatible Accessories

TG2 Stainless Steel Custom Fit Basin Rack

SC1 Deluxe Sink Caddy

TBASK Stainless Steel Basket Strainer

MF1 FuFu Microfiber Sink Loofah

MIB-U Mounting and Installation Brackets

TL8 Sink Cut-Out Template

Installation Instructions



Codes/Standards

ASME A112.19.3/CSA B45.4

1-(503) 455-8336

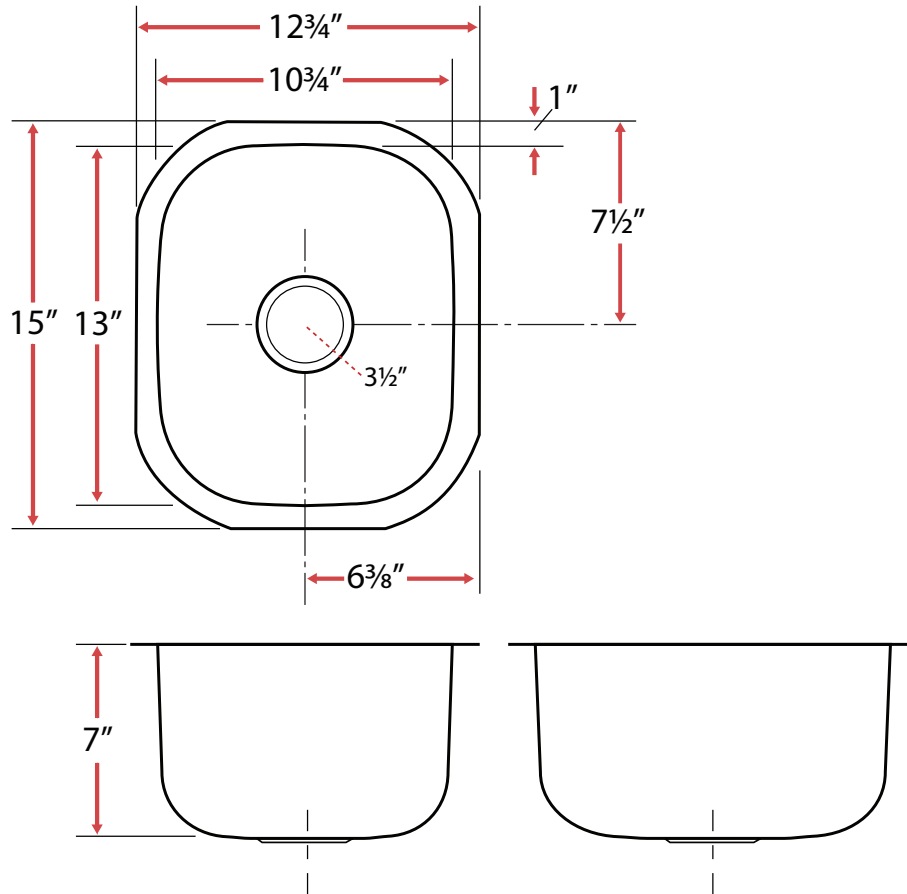
Sink specifications may change without notice. Please visit www.ticorsinks.com for the most current information. Updated 09/20/2019



L8

Foster Series

Undermount Kitchen/Bar Sink



Technical Information

- Sink Collection: **Foster Series**
- Sink Model Number: **L8**
- Corner Style: **Deep Drawn**
- Sink Length (inches): **12 3/4**
- Sink Width (inches): **15**
- Sink Basin Depth (inches): **7**
- Drain Opening (inches): **3.5**
- Drain Position: **Center**
- Bowl Configuration: **Single**
- Installation Type: **Undermount**
- Minimum Sink Base Cabinet Width Required: **15"**

(Cabinet May Require Additional Modifications at Minimum Size. Consult an Installer for Confirmation)

1-(503) 455-8336

Sink specifications may change without notice. Please visit www.ticorsinks.com for the most current information. Updated 09/20/2019