



**L40**

**Foster Series**

Undermount Kitchen/Bar Sink

## Features

- 18 Gauge 304 Stainless Steel Construction
- Satin Brushed Finish
- Non-Porous Corrosion-Resistant Surface
- Sound and Vibration Dampening
- Protected with a Non-Toxic Anti-Condensation Coating
- Low basin divide
- Limited Lifetime Warranty



## Compatible Accessories

TG120 Stainless Steel Custom Fit Basin Rack  
SC1 Deluxe Sink Caddy  
TBASK Stainless Steel Basket Strainer  
MF1 FuFu Microfiber Sink Loofah  
MIB-U Mounting and Installation Brackets  
TL40 Sink Cut-Out Template  
Installation Instructions

## Codes/Standards

ASME A112.19.3/CSA B45.4

---

1-(503) 455-8336

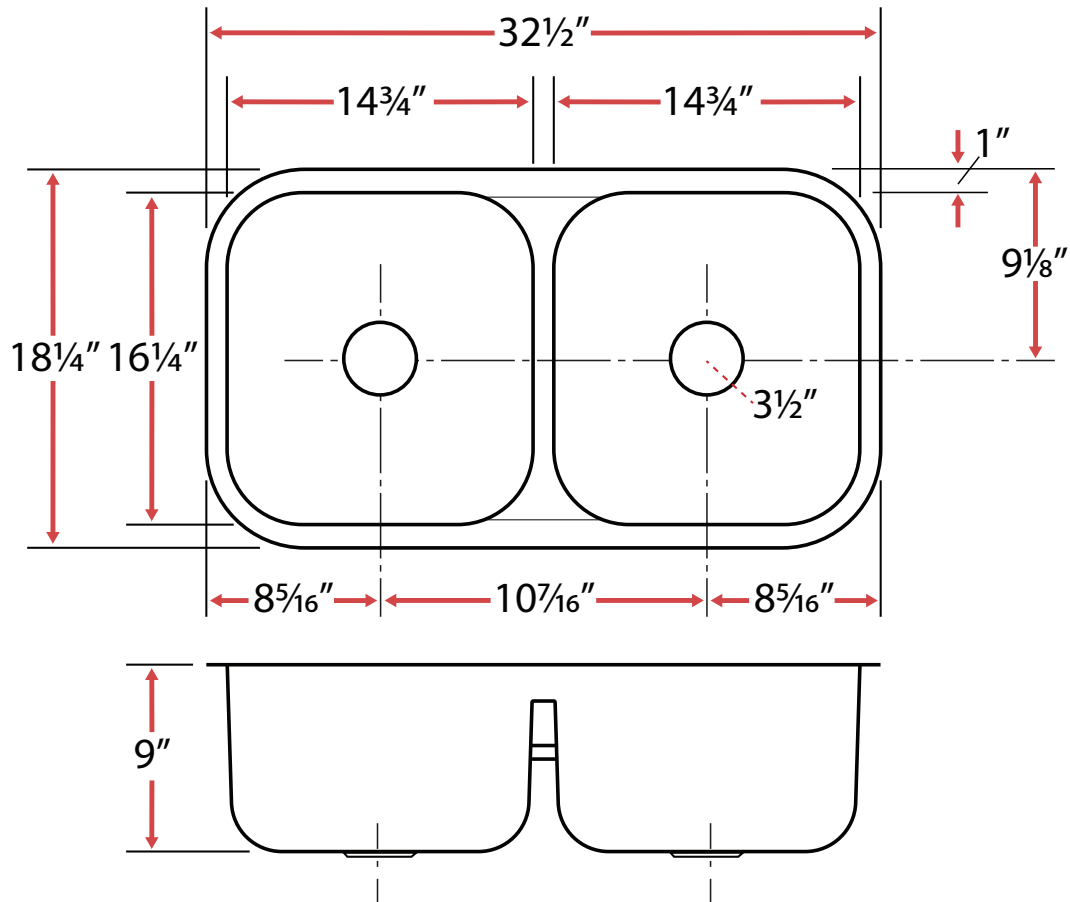
Sink specifications may change without notice. Please visit [www.ticorsinks.com](http://www.ticorsinks.com) for the most current information. Updated 03/3/2020



**L40**

**Foster Series**

Undermount Kitchen/Bar Sink



## Technical Information

- Sink Collection: **Foster Series**
- Sink Model Number: **L40**
- Corner Style: **Deep Drawn**
- Sink Length (inches): **32**
- Sink Width (inches): **18 1/4**
- Sink Basin Depth (inches): **9**
- Low Divide Height (inches): **7**
- Drain Opening (inches): **3.5**
- Drain Position: **Center**
- Basin Configuration: **Double**
- Basin Split Ratio: **50/50**
- Installation Type: **Undermount**
- Minimum Sink Base Cabinet Width Required: **33"**

*(Cabinet May Require Additional Modifications at Minimum Size. Consult an Installer for Confirmation)*

1-(503) 455-8336

Sink specifications may change without notice. Please visit [www.ticorsinks.com](http://www.ticorsinks.com) for the most current information. Updated 03/3/2020